

902-928 MHz Circular Polarized UHF RFID Antenna

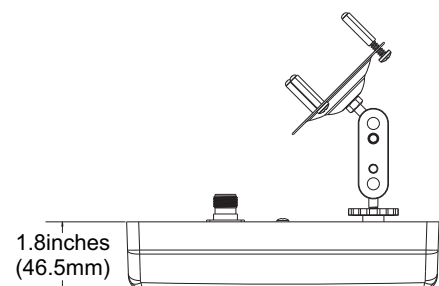
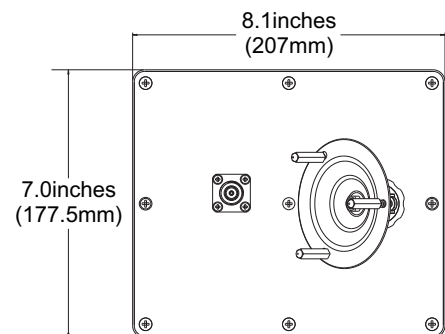
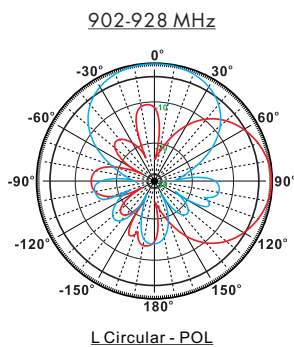
Model: CP7X8

Electrical Data

Frequency:	902-928 MHz
Gain:	8±0.5 dBi
VSWR:	<1.5:1
Polarization:	Circular Polarization
Horizontal Beamwidth :	72°
Vertical Beamwidth:	59°
Nominal Impedance:	50 Ohms
F/B Ratio:	>16 dB
Max Input Power:	100 W
Lightning Protection:	DC Ground

Mechanical Data

Connector :	N Female
Dimensions:	207*177.5*46.5mm
length*width*height	8.1*7.0*1.8in
Weight:	0.7kg/1.5lb
Radome Material:	Weatherproof ABS
Mounting Method:	Wall Mount
Rated Wind Velocity:	210km/h
Operating temperature:	-40~+65°C



Installation Guide

Model: CP7X8

